

ELGIN[®]
Subsidiary of Federal Signal Corporation

CROSSWIND[®]



IMPROVED OPERATOR EXPERIENCE • EASE OF MAINTENANCE • SAVES TIME/COST



PROVEN SINGLE-ENGINE REGENERATIVE AIR SWEEPER

Searching for a solution that eliminates maintaining and servicing an auxiliary engine on a regenerative air sweeper? Elgin® Sweeper Company has the answer. The Crosswind1® eliminates all things associated with a diesel auxiliary engine, providing value to customers that extends beyond having one less engine. The Crosswind1 has undergone years of customer focused testing and validation; ensuring a design that exceeds expectations!



APPLICATION SOLUTIONS

Elgin Sweeper doesn't offer just one sweeping technology — we take an application-based approach to solving our customers' sweeping needs. Our team works with every customer to ensure they get a machine that fits their specifications, with the right truck, engine configuration, fuel requirements, and options.

POWERFUL SUPPORT

Elgin Sweepers are built for clean, backed for life. Throughout the life of the sweeper, we offer team training on proper use and maintenance. We have a world-wide network of experienced dealers with factory trained technicians and a local stock of OEM parts and accessories, to ensure total customer peace of mind.

UNMATCHED QUALITY

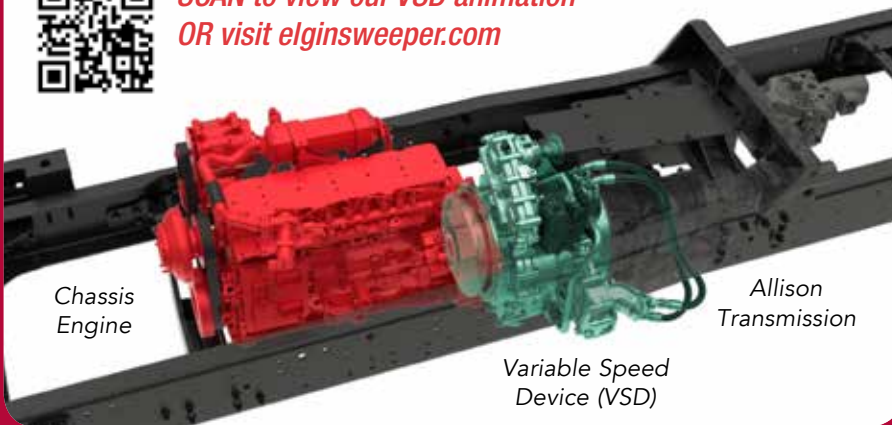
The Crosswind was introduced nearly 30 years ago and has been continuously improved in design and production. Elgin sweepers are manufactured in an ISO:9001 certified manufacturing plant. Products are painted prior to assembly and quality tested. The Crosswind1 is proudly assembled in the U.S.A. using only the finest materials.

VARIABLE SPEED DEVICE (VSD) TECHNOLOGY

The Crosswind1 single-engine provides a simple solution; a single push-button operation. This procedure incorporates a Variable Speed Device (VSD) – a planetary gearbox – located between the chassis engine and the Allison transmission. The VSD has two modes of operation; road mode and work mode.



SCAN to view our VSD animation
OR visit elginsweeper.com



The VSD replaces the diesel auxiliary engine, eliminates a complex aftertreatment system, and untimely regenerations. It's simple to operate, and carries a three year warranty.

SINGULAR PUSH-BUTTON TECHNOLOGY

The Crosswind1 does not require engaging the park brake before shifting into work or road modes. Shift-on-the-fly design provides unmatched ease of operation; combined with increased productivity.

ROAD MODE:

When the VSD is in road mode, the chassis operates normally. The accelerator pedal controls the chassis engine speed and the transmission shifts normally.

WORK MODE:

When the VSD is in work mode, the chassis accelerator now controls only the input speed to the transmission, not the chassis engine speed.



SUPERIOR SINGLE-ENGINE REGENERATIVE AIR SWEEPER

FLEXIBLE DESIGN

The Crosswind1 mounts on a conventional or cab-over chassis, respectively offering maneuverability, visibility, ease of entry and egress. Elgin's standard auto pickup-in-reverse feature protects the sweep components while allowing quick change of sweeping locations.

HIGH CAPACITY/EFFICIENT LOADING

The 8 cu. yard (6 m³) capacity hopper provides extended sweeping time. Abrasion-resistant steel inlet deflector directs debris flow to the center of the hopper for maximum capacity utilization. Drop down hopper screens make the Crosswind1 easy to clean.

ERGONOMIC CONTROLS

The Crosswind1's centrally-mounted console features rocker switches for all sweep functions and complete gauges (fuel level, fan hour meter, fan RPM) for quick review of system conditions. A backup camera and alarm are standard for increased operational awareness and safety.

POWERFUL BLOWER

The Crosswind1 features a nine-vane closed face turbine blower. Vanes are constructed from Hardox[®] brand steel for durability.

RESILIENT HOUSING

Replaceable urethane liners inside blower housing extends service life.





SIMPLE, EASY - MAINTENANCE ACCESS

The Crosswind1 is designed so that systems are accessible and easy to service. The hydraulic system with o-ring face seal (ORFS) fittings is designed for long life and leak-free operation. Heavy-duty, waterproof electrical connectors, and color-coded wires are functionally stamped for quick identification and trouble shooting.

SUPERIOR DUST SUPPRESSION

The durable 240 gal. (908 L) polyethylene water tank provides ample water capacity. Water is delivered using two run-dry water pumps; distributed through quick-to-clean water nozzles. High/low in-cab selectable pump speeds allow adjustment by application.

UNIQUE TRAILING ARM SIDE BROOMS

Elgin's trailing arm design provides inward motion to avoid obstacles. Standard parallelogram linkage allows side brooms to closely follow road contours, and maintain a consistent broom tilt (angle) with the road surface. Digging pressure is adjustable in-cab. Brooms can be extended outward for maximum sweep path.



HYDROSTATICALLY DRIVEN BLOWER

Eliminates frequent tensioning of a belt driven blower. Vibration and noise from belt slippage is avoided.



Elgin's optional Memory Sweep® system allows the operator to resume all previous sweep settings, even broom tilt (if so equipped), with one touch control. Memory Sweep incorporates a multi-screen display that indicates system diagnostics, as well as optional features such as broom tilt angle, vacuum enhancer position, and broom hours.

POWERFUL CLEANING SYSTEM



EFFICIENT AIR CONVEYANCE SYSTEM

Efficient air flow, including a superior vacuum source and air routing path, is essential to Crosswind1.

- High volume air flow at high velocity results in exceptional one-pass pickup while reducing plugging that can occur in similar type sweepers.
- A nine-vane closed face turbine blower is hydrostatically driven, eliminating belt tensioning, and provides vibration free and quiet operation.
- A centrifugal dust separator minimizes pressure loss and maximizes sweep performance and fan life.



HIGH PRODUCTIVITY SWEEP SYSTEM

The sweep path picks up debris close to the curb and across a wide area.

- A 90 in. (2286 mm) wide pick-up head and hydraulically driven 42 in. (1067 mm) dual side brooms provide a 12 ft. (3658 mm) wide sweep path.
- Work with brooms fully extended, or add the optional full broom retract feature for powerful scrubbing action in front of the pick-up head.
- An optional center broom provides added digging power for compacted debris.
- A 12 3/4 in. (324 mm) diameter suction hose accepts large debris. Quick disconnect allows operator to inspect and clean hose and intake tube without raising hopper.
- The vacuum enhancer facilitates sweeping under light and bulky debris conditions.

Crosswind® SPECIFICATIONS:

SWEEP SYSTEM

High performance regenerative air
Sweeping path: 12 ft. (3658 mm)
Side brooms: 42 in. (1067 mm)

PICK-UP HEAD

High flow with pressure and vacuum chamber 2700 sq. in. (17,450 sq. cm.)

Pressure hose diameter:
14 in. (356 mm)

Suction hose diameter:
12 3/4 in. (324 mm)

Variable Speed Device (VSD)

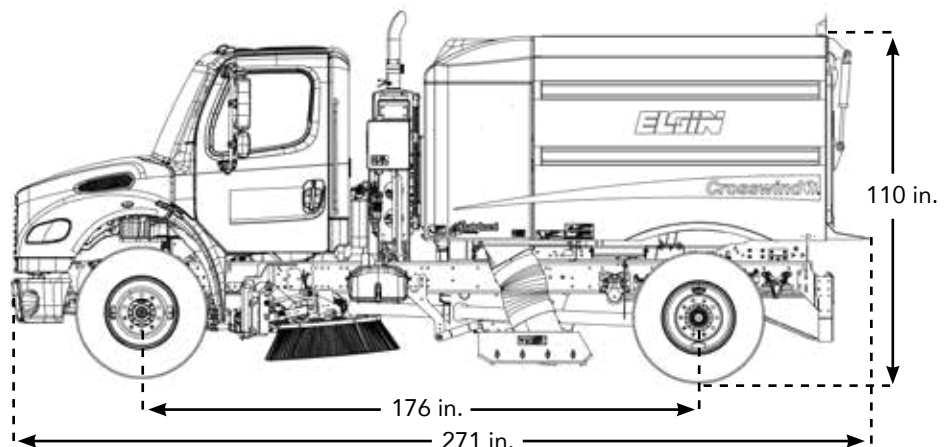
Installed between the chassis engine and the Allison transmission; eliminates auxiliary engine
Singular in-cab push button control

CHASSIS

Choice of conventional or cab-over chassis

TRAVEL SPEED

Highway speeds



POPULAR ENHANCEMENTS



WANDERING HOSE

The versatile, hydraulic-assist hose gets into hard to reach places and is effective in catch basin cleaning. It handles multiple tubes for especially deep catch basin cleaning.



LIFELINER® HOPPER SYSTEM

The LifeLiner® hopper liner and finish system greatly improves the life, durability, and dumping functionality of a sweeper hopper. It is backed by a lifetime warranty*.

ADDITIONAL ENHANCEMENTS:

- Center broom
- Memory Sweep®
- Side broom tilt
- High pressure washdown/ high pressure pump
- Front spray bar
- Hopper deluge
- Auxiliary hydraulic pump
- PM-10 compliant
- Full side broom retract
- Variable speed side brooms
- Full-width magnet
- Rotating beacon
- Auxiliary lighting packages
- In-cab control for vacuum enhancer
- Broom hour meter
- Enhanced water control
- Additional water: 140 gal. (530 L), 280 gal. (1060 L), 360 gal. (1363 L)
- R or L inspection door
- FlowBlocker™
- Quiet Pak™ Acoustical insulation

VISIT THE CROSSWIND PAGE ON ELGINSWEEPER.COM FOR APPLICATION-SPECIFIC CONFIGURATIONS



CROSSWIND FSX®

Top Performance On and Off the Runway



CROSSWIND GRS

Glycol Recovery Sweeper

What does the Crosswind mean?

 *less engine to maintain*

 *less belt to tension*

 *button operation*

 *less engine regeneration*

 *less emission aftertreatment system*

 *less noisy engine*

 **MORE REASON...**
TO BUY AN ELGIN!

WARRANTY

Elgin Sweeper Company backs the Crosswind1 sweeper with a one-year limited warranty. The Crosswind1 is warranted against defects in material or workmanship for a period of 12 months from the date of delivery to the original purchaser. Optional extended warranty packages are available. Consult your Elgin dealer for complete warranty information.

Your local Elgin Dealer is:



elginsweeper.com

1300 W. Bartlett Road • Elgin, IL 60120 U.S.A.
(847) 741-5370 Phone • (847) 742-3035 Fax

Specifications subject to change without notice. Some items shown may be optional. Elgin® Crosswind1® Crosswind FSX® Ecolinfused® LifeLiner® and Memory Sweep® are registered trademarks of Federal Signal Corporation. Hardox® is a registered trademark of Hardox wear plate. Federal Signal Corporation is listed on the NYSE by the symbol FSS.

©2019 Elgin Sweeper Company. Effective 4/19 P/N 0705429-A