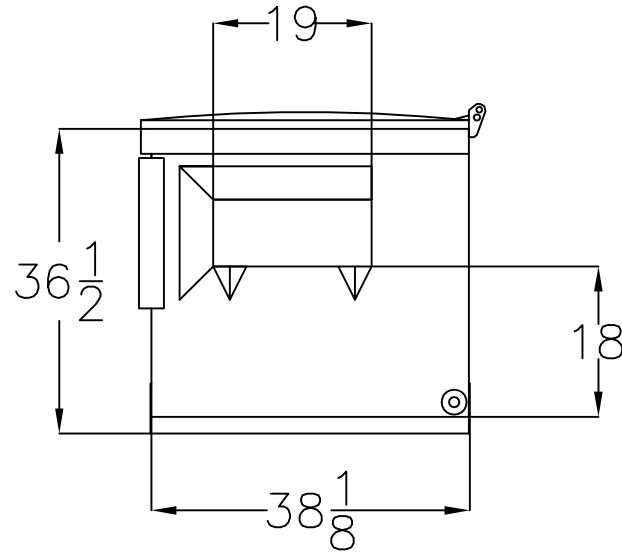
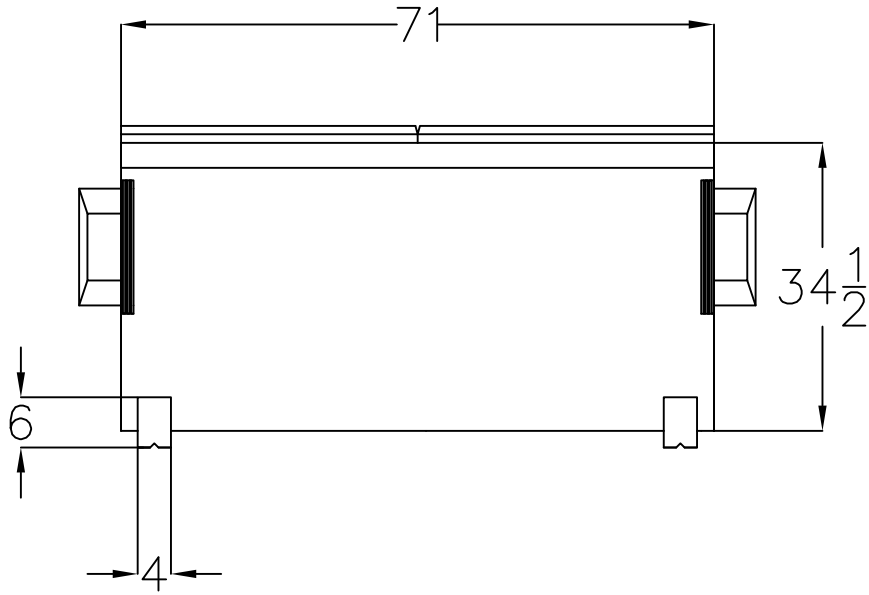


TOLERANCES  $\pm .0625$



DRAWING NO.		MATERIAL:	
THIS DRAWING CONTAINS CONFIDENTIAL & PROPRIETARY INFORMATION AND SHALL NOT BE DISCLOSED OR COPIED WITHOUT THE EXPRESSED, WRITTEN PERMISSION OF BAKER WASTE EQUIPMENT.		<b>BWE</b> BAKER WASTE EQUIPMENT LENOIR, NC 28645	
NOTES:		DRAWN BY: M. ROSEBROCK	DATE:
		APPROVED BY:	DATE:
			PAGE: 1
DRAWING NAME: <b>FL2</b>		FILE NAME: XXXXXXXXXX	REV.: