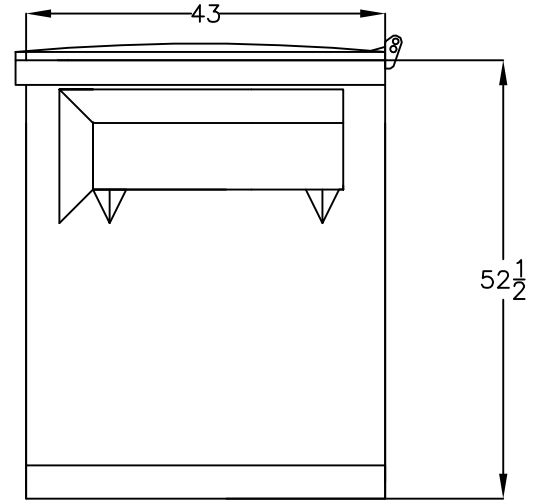
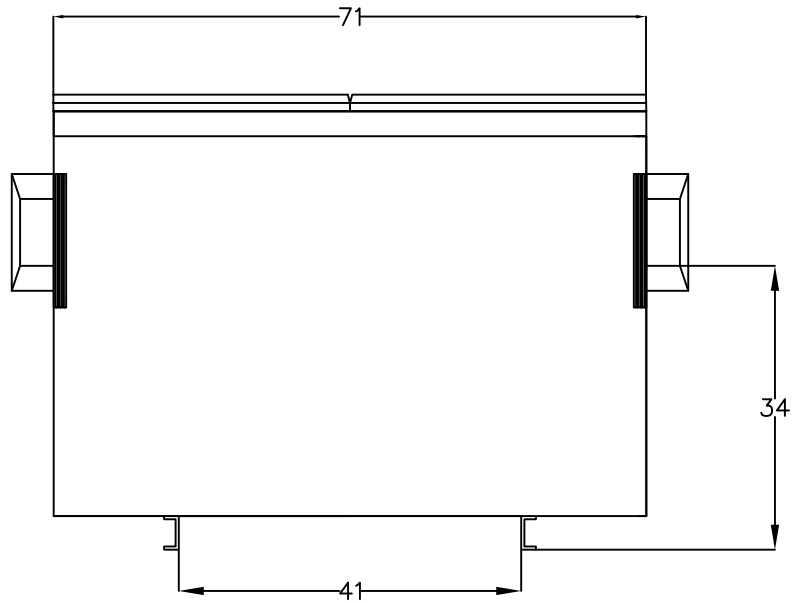


TOLERANCES $\pm .0625$



DRAWING NO.		MATERIAL:	
THIS DRAWING CONTAINS CONFIDENTIAL & PROPRIETARY INFORMATION AND SHALL NOT BE DISCLOSED OR COPIED WITHOUT THE EXPRESSED, WRITTEN PERMISSION OF BAKER WASTE EQUIPMENT.		BWE BAKER WASTE EQUIPMENT LENOIR, NC 28645	
NOTES:		APPROVED BY:	
DRAWING NAME: FL3		PAGE 1	
		REV.	
FILE NAME: XXXXXXXXXX		REV.	