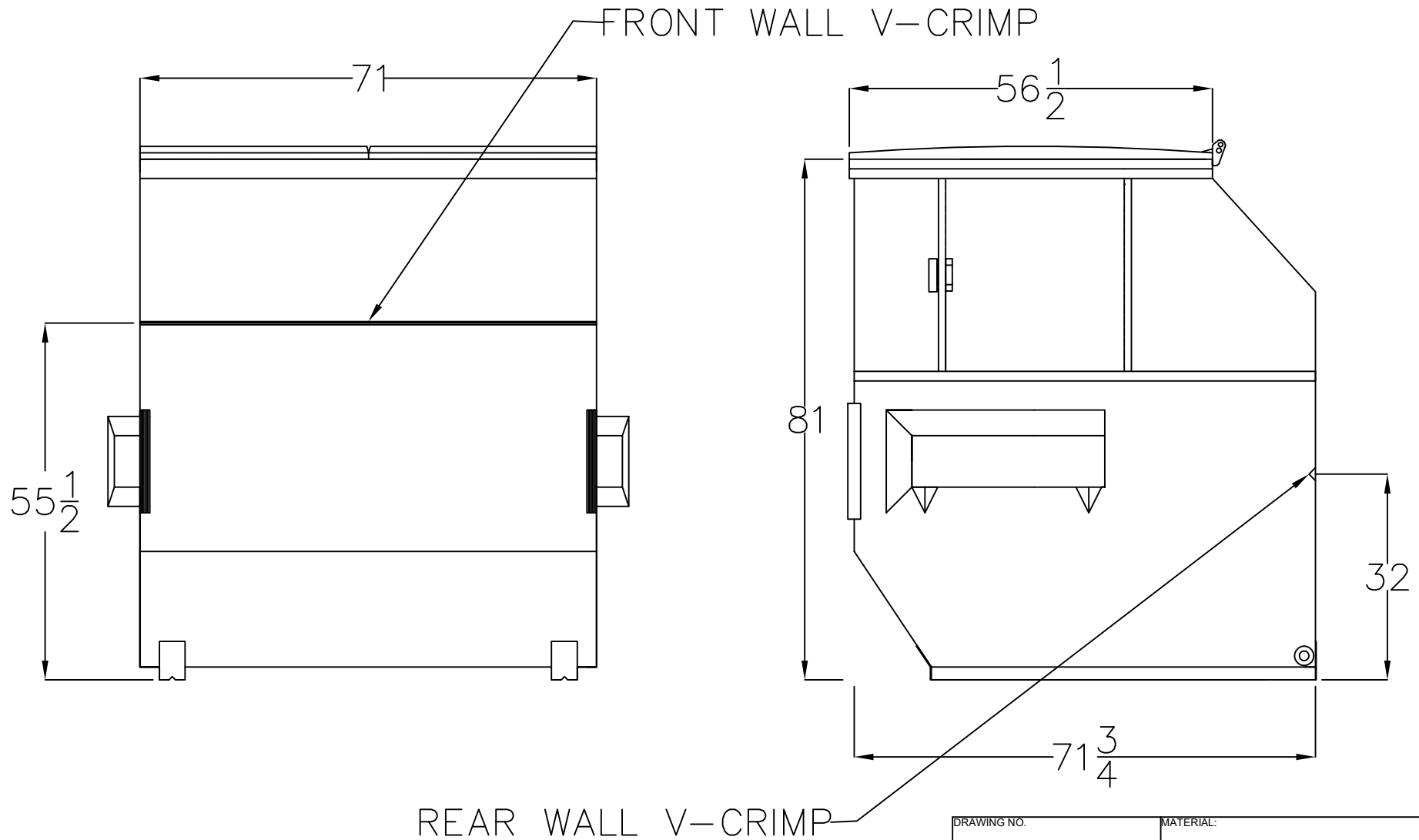


TOLERANCES $\pm .0625$



DRAWING NO.		MATERIAL:	
THIS DRAWING CONTAINS CONFIDENTIAL & PROPRIETARY INFORMATION AND SHALL NOT BE DISCLOSED OR COPIED WITHOUT THE EXPRESSED, WRITTEN PERMISSION OF BAKER WASTE EQUIPMENT.		BWE BAKER WASTE EQUIPMENT LENOIR, N. CAROLINA 28645	
NOTES:		APPROVED BY:	DATE:
FL 8 NBF		PAGE:	1
		FILE NAME:	XXXXXXXXXX
		REV.	