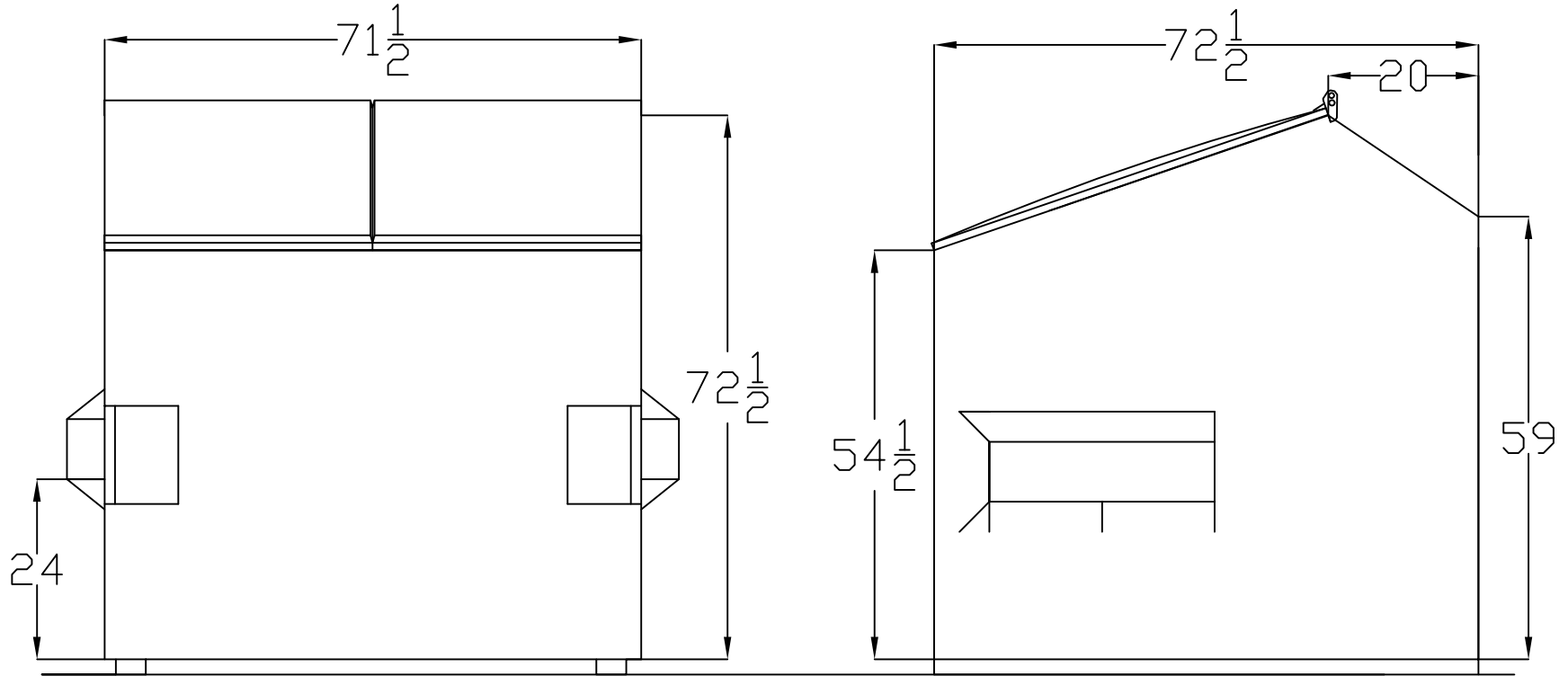


TOLERANCES ± .0625



DRAWING NO.	MATERIAL:
THIS DRAWING CONTAINS CONFIDENTIAL & PROPRIETARY INFORMATION AND SHALL NOT BE DISCLOSED OR COPIED WITHOUT THE EXPRESSED, WRITTEN PERMISSION OF BAKER WASTE EQUIPMENT.	BWE BAKER WASTE EQUIPMENT LENDIR, NC 28645
NOTES:	DRAWN BY: M. ROSEBROCK DATE: 11/27/09
	APPROVED BY: DATE:
	PAGE: 1
DRAWING NAME: FL 8 NSB	FILE NAME: XXXXXXXXXXXX REV.: