



SELF-CONTAINED COMPACTOR

MODEL KP2SC

Seek and Destroy.

K-PAC™'s neat, clean appearance, in both the ding model and the front loading model, blends attractively with its surroundings.

Self-contained KP2SC compactors provide features only available from K-PAC™.

Features Include:

- Clear chamber opening of 41" x 68" is industry largest to prevent "bridging."
- Full 14" ram penetration out performs competitive models.
- 46.5" feed height eases ground level loading.
- Guided and supported ram with easily replaceable guide shoes increases structural life and reduces maintenance costs.
- "NoShok" system eliminates limit switches (80% of service calls) and improves hydraulic life. .38"
- High Strength floor is 52% thicker and 300% stronger than competitive guided ram compactors.
- Wider ground rollers improve pavement life over competition.
- Three-part epoxy based paint with UHV inhibitors exceed industry standards.
- Full door seal of closed cell neoprene (as used in nuclear submarines) provides superior sealing and outlasts competitive seals.
- All units are water tested for liquid integrity before shipment from K-PAC.
- Self-cleaning compactor sump (sub-floor) to prevent debris buildup behind ram.



Ready to Roll

These units are in stock for quick delivery!

KP03 Apartment Compactors

KP2 Two Yard Stubbies

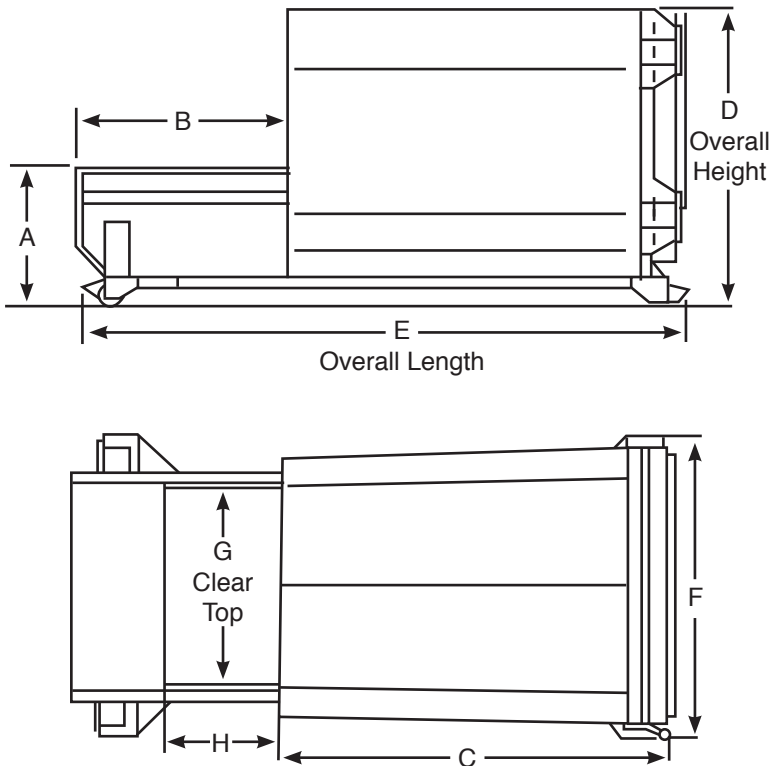
KP2SC Self-Contained Compactors



A division of  **NEW WAY** for more product information visit us online at newwaytrucks.com

Self-Contained Compactor Model KP2SC

KP2SC Dimensions



KP2SC Specifications

Ram Face	53"W x 46"H
Clear Top Opening	41" x 68"
Loading Height	46.5"
Ram Penetration	14"
Packing Force Normal	40,250 lbs.
Packing Force Max.	45,700 lbs.
Packing Pressure Normal	1,850 PSI
Packing Pressure Max.	2,100 PSI
Floor	.38 AR Plate
Compactor Sides	.25 Plate
Ram Top	.38 Plate
Ram Face	.25 Plate

MODEL	CAPACITY	A ²	B	C	D ³	E	F	G	H	I ⁴	WEIGHT ⁵
KP2SC20	20 y3	46.5"	71.5"	117.5"	102"	189"	101.5"	68"	41"	182"	9,030 lbs.
KP25C25	25 y3	46.5"	71.5"	147.5"	102"	219"	101.5"	68"	41"	182"	9,710 lbs.
KP2SC30	30 y3	46.5"	71.5"	177.5"	102"	249"	101.5"	68"	41"	182"	10,100 lbs.
KP2SC35	35 y3	46.5"	71.5"	207.5"	102"	279"	101.5"	68"	41"	182"	10,900 lbs.
KP2SCL20	20 y3	46.5"	71.5"	135.5"	90"	207"	101.5"	68"	41"	182"	9,030 lbs.
KP2SCL30	30 y3	46.5"	71.5"	207.5"	90"	279"	101.5"	68"	41"	182"	10,100 lbs.

Standard Power Pack

Power Pack	10 HP / 3 Phase 230/460 Volt 60 Hertz
Hydraulic Pump	12 GPM
Reservoir	20 Gallons
Cylinders	2 - 4" x 37" Diagonal

Cycle Time

Time	34 Seconds
------	------------

AUTHORIZED DEALER

Check out our other self-contained compactors. If you need help determining the right model for your needs, please contact us at 800.831.1858
Shown KP6R self-contained compactor model.

