



# VERSA-PAC COMPACTOR

## MODEL KPV

### Crushing Time

Time is money. In the waste-hauling business, that is more true. Every minute counts out on the route. Luckily for you, you can count on the **K-PAC VersaPac**.

The **VersaPac** is a new breed of compactor that works seamlessly with front-load, rear-load and roll-off systems. Systems that can be accommodating to sites of any size. This means, when your customer's need change, the container can too, but the **VersaPac** system won't.

To save more time (and money), the **VersaPac** is smart too, smart with industry leading features!

#### **Features Include:**

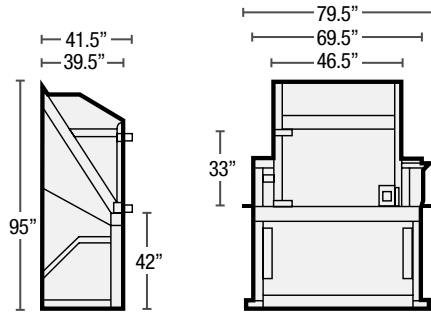
- **Automatic Latch and Signal Light Systems** notifies drivers when the container is locked in place. Front-load drivers, never leave their driver's seat!
- **Retainer Teeth** keeps trash inside and prevents spillage of the container during the separation of the compactor.
- **Heavy Duty Vinyl Cover** prevents spills during loading and transporting the roll-off container.
- **Hydraulic Unlatch-and-Lift System** opens rear door so roll-off drivers can dump a load without getting out of their truck.
- **Quick Adjust Door Seals** make it simple to keep the roll-off container liquid tight.
- **Quick Latch System** locks all three types of containers firmly in place and securely under the compactor. No more "walk outs".
- **Full Light/Alarm (Optional)** indicates user when the container is full.

So, if you're ready to start saving work and expense, reducing inventory and operating smarter, then it's time to try the **K-PAC VersaPac**.

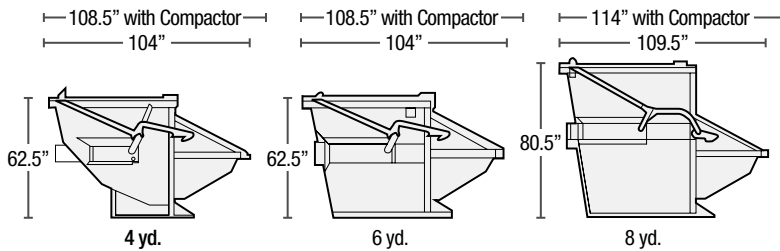


# Versa Pac Compactor Model KPV

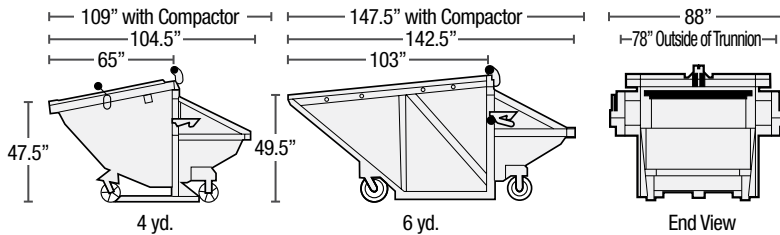
## KPV Versa Pac Compactor Unit



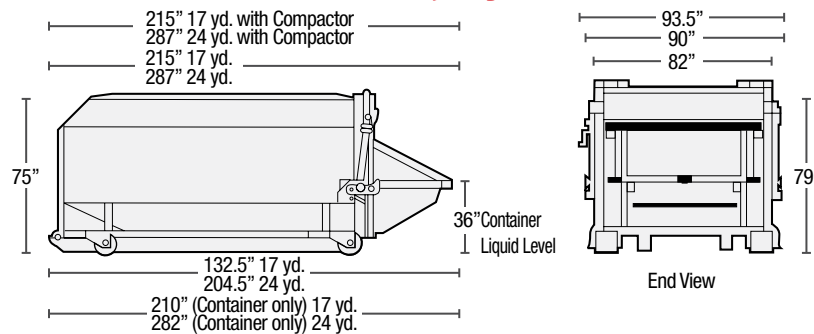
## Frontload Containers - 4, 6, 8 yds.



## Rearload Containers - 4, 6 yds.



## Roll-Off Containers - 4, 6 yds.



## KPV Specifications

NSWMA Rating	.77 Cubic Yards
Chamber Opening	46" x 33"
Loading Height	42" From Ground
Ram Face	46" x 33 1/2"
Ram Penetration	21 1/2" Breaker Bar to Maximum 11" Past Retaining Teeth
Packing Force Normal	22,400 lbs.
Packing Force Max.	25,800 lbs.
Packing Pressure Normal	2,300 PSI
Packing Pressure Max.	2,300 PSI
Ram Face Pressure Normal	14.5 lbs./sq. in.
Ram Face Pressure Max.	16.5 lbs./sq. in.

## Standard Power Pack

Electric Motor	3 HP 208/230/460 Volts 3 Phase 1 HP 110/220 Volt Single Phase
Hydraulic Pump	5 GPM HI-LO 3 Phase 3 GPM HI-LO Single Phase
Reservoir	13 Gallons
Fluid	Northland Talamar Extreme ISO 32
Cylinders	2—3" x 16" Standard for Rearload and Frontload use 2—3 1/2" x 16" Optional for Roll-off use
Standard Controls	Key Start, Stop and Full Light Cycle Time

## Cycle Time

Times	26 Seconds / 3 HP 34 Seconds / 1 HP
-------	--

## Standard Features

- Change Container Systems (RL, FL, RO) without changing Compactor installation
- Leak Proof Containers/Self Contained Style
- Latch Controls - Automatic Latch for disconnecting Frontload Containers without leaving the cab of the truck
- Safety - Interlocks allow operation only when Container is attached and Loading Doors are closed

## Optional Features

- Drivers Connection Light - Frontload
- Through the Wall Kit
- Oil Heater
- Right Hinge Loading Door
- Ram Type Loading Doors
- Vinyl Roll-off Rear Chamber Cover