

PAK-MAN SELF-CONTAINED COMPACTOR

PM6FS/PM6R

Pak-Man self-contained, leak-resistant compactors are ideal for small volume businesses.

The Pak-Man features a leak-resistant container, making it ideal for keeping waste contained – including wet waste. It features a space-maximizing design that's perfect for restaurants, nursing homes, retailers, and other small businesses. Compactors reduce overall waste disposal costs by reducing trash volume and hauling.



The Pak-man is available in both front-load and rear-load models.

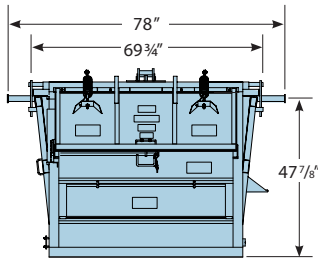
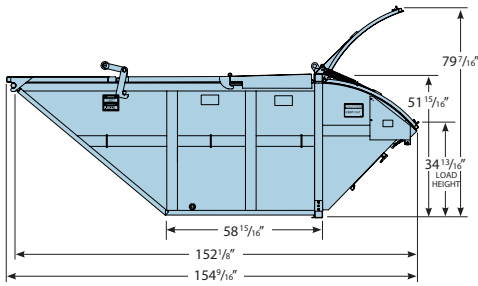
Value-Added Benefits

Space-maximizing design	<ul style="list-style-type: none">• Designed for space-restricted areas• Low 41" load height for ease of loading
Ideal for wet waste	<ul style="list-style-type: none">• Leak-resistant container is ideal for wet waste
Standard features included at no additional charge	<ul style="list-style-type: none">• Key operated for added security• External power unit with weather cover and 12' hoses• NEMA 4 industrial control panel (U.S. & Canadian UL listed)• Spring-loaded retainer teeth prevent spillage from spring-back• Spring-assisted compactor lid is lightweight and easy to open• Hydraulic quick-disconnect hose couplers• Drain plug in container side
Ease of ownership	<ul style="list-style-type: none">• Purchase, rental, and leasing programs available
Warranty	<ul style="list-style-type: none">• 1-1-1 warranty (1-year structural, 1-year parts, and 1-year labor)

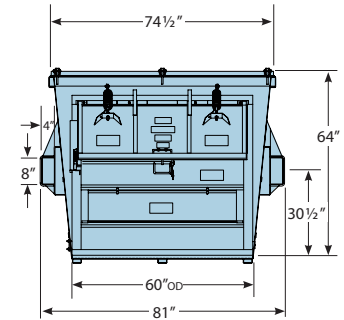
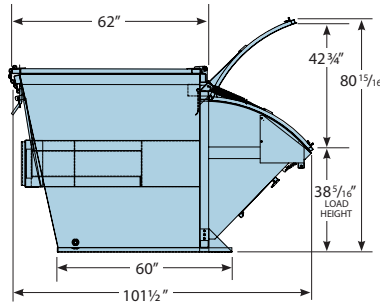
PAK-MAN SELF-CONTAINED COMPACTOR

PM6FS/PM6R

Rear-Loading Pak-Man PM6R



Front-Loading Pak-Man PM6FS



Features

Standard

- Full container light
- 37 second cycle time
- Virtually dripless quick-disconnects
- Low temperature oil
- Operational and service manual
- Primed and painted in multiple colors
- Spring-loaded retainer teeth
- Spring-assisted compactor lid with interlock
- Drain plug in container side

Options

- Oil heater

Specifications

		PM6FS	PM6R*
Charge Box	Wastequip rating	1.17 cu. yds.	
	Wastec rating	0.83 cu. yds.	
	Clear top opening	53" Length x 28" Width	
	Compactor weight	2,150 lbs.	2,270 lbs.
Ram	Ram height	44 1/8"	
	Ram penetration	12.5"	
	Face plate	44 1/8" Height x 53" Width	
	Base plate	3" x 3" x 3/16" ret. tube x 52 1/2"	
	Top plate	1/4" plate - 8 1/8" x 53"	
	Side plates	1/4" plate - 6 5/8" x 44 1/4"	
Compactor Head	Floor	12 gauge - 17 1/8" x 53 1/4"	
	Sides	10 gauge - 41 1/2" x 47 1/2"	
	Breaker bar	3" x 3" x 3/16" x 59 3/4"	
	Top deck (lid)	12 gauge - 40" x 56"	
Electrical	Electric motor	3 HP	
	Voltage	208/230/460 Volt, 3 phase	
	Power box	UL rated, TEFC housing	
	Automated cycle operation	Turn key switch-ram extends, retracts & stops automatically	
Hydraulic Performance	Pump	2.8 gpm	
	Pump type	Gear	
	Hydraulic oil tank	13 gallons	
	Cylinder bore/rod/stroke	3" bore, 1.5" rod, 16" stroke	
	Normal ram face pressure	21,229 psi at 1,500 psi	
	Maximum ram face pressure	23,969 psi at 1,750 psi	
	Normal ram psi	9.08 psi	
	Maximum ram psi	10.25 psi	
	Cubic yard per hour	114	
	Power unit location	Remote	
Cycle time	37 seconds		
Container Capacity		6 cu. yds.	



Replacement parts available online at www.gotoparts.com

Standard Color Choices



Colors shown are as accurate as printing allows. The actual color is subject to variation from the printed color sample. Color choices vary by plant location. Please contact your local sales representative for available colors. Custom colors are available upon request and are subject to an additional charge.

* Specifications are the same as the PM6FS, except where indicated.



Tel: 877.468.9278 | sales@wastequip.com | www.wastequip.com

Wastequip is the leading North American manufacturer of waste and recycling equipment for collecting, processing, and transporting recyclables and solid or liquid waste. ©Wastequip. All rights reserved. Specifications subject to improvement without notice. Equipment displayed should be operated by properly trained personnel. Operators should become familiar with OSHA, ANSI, and any other applicable standards or laws for using this equipment. Improper use, misuse, or lack of maintenance could cause injury to people and/or property. Photos used in the literature are illustrative only. We assume no liability or responsibility for proper training/operation of equipment not manufactured by Wastequip. We reserve the right to make changes at any time without notice. Information contained within this literature is intended to be the most accurate available at time of printing.