

# PERKINS AUTOMATED CAN PC2020



**Made in USA**

**Take-all can size**

**Featuring smooth,  
controlled extension  
thanks to a helical  
rotary actuator**



**Valve bank fully protected  
within compartment**

**Thin arms slide between carts easily!**

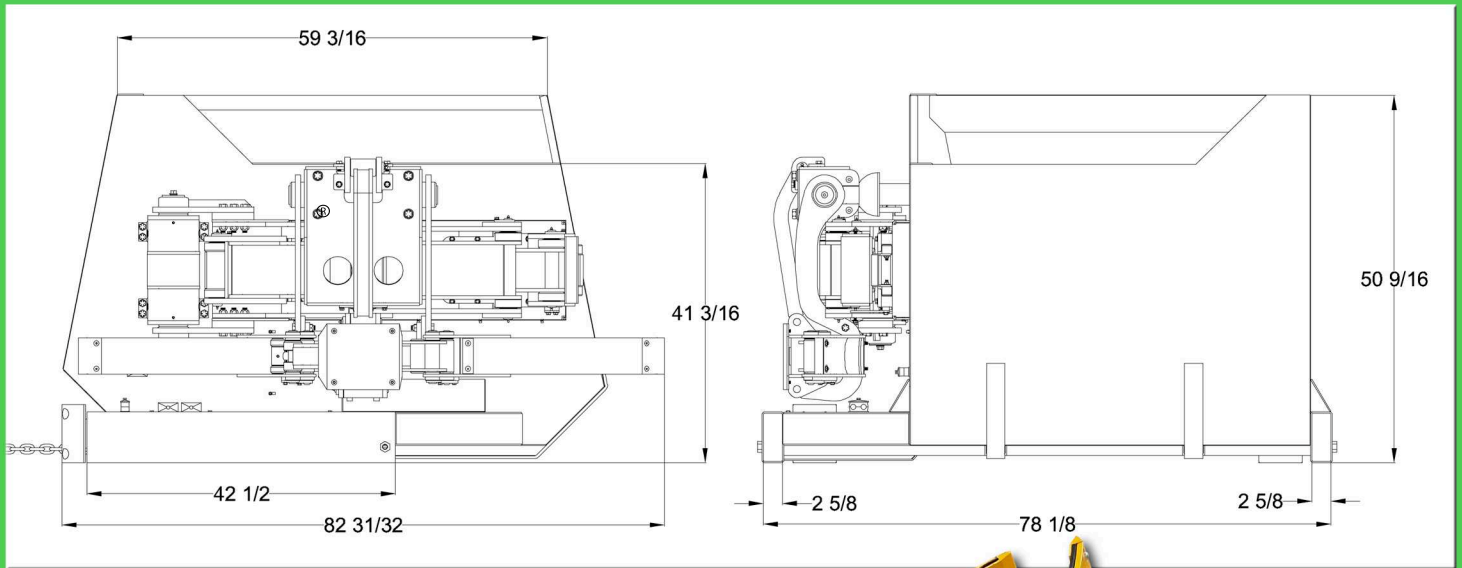


ACCESSORIES | AUTOMATED SYSTEMS

## MODEL PC2020: AUTOMATED FRONTLOADER CAN

The Perkins PC2020 can is ready to take on your automated residential routes. Proportional controls provide smooth, fast pick up action while the size and shape of the can allows for good driver visibility and easy hand loading across the front for bulky items, for take-all capabilities. The thin gripper fingers easily slide between carts and around obstacles, giving the operator precise control in tight situations.





## Specifications

- Compatible to ANSI Type G Automated carts
- Easily fits up to standard FL forks, can be removed in minutes.
- 4 cubic yard capacity can
- 400 lb lift capacity, 54" extension/reach
- 45 degree dump angle
- Self-lubricated bearings for lower maintenance requirements.
- Safety Yellow powder-coated finish
- Proportional valve bank
- Fast cycle times!
- Adjustable flow control valve
- 1-year limited warranty



### Perkins Manufacturing Company

380 Veterans Parkway #110, Bolingbrook, IL 60440  
 (708) 482-9500 Fax: (708) 354-5878  
 Email: [tuckaway@perkinsmfg.com](mailto:tuckaway@perkinsmfg.com)  
[www.Perkinsmfg.com](http://www.Perkinsmfg.com) TOLL FREE 800-882-5292

**Perkins. Route tested. Driver approved.**