

RJ-325 & RJ-325HD Stationary Compactors



Designed to handle heavy-duty waste streams

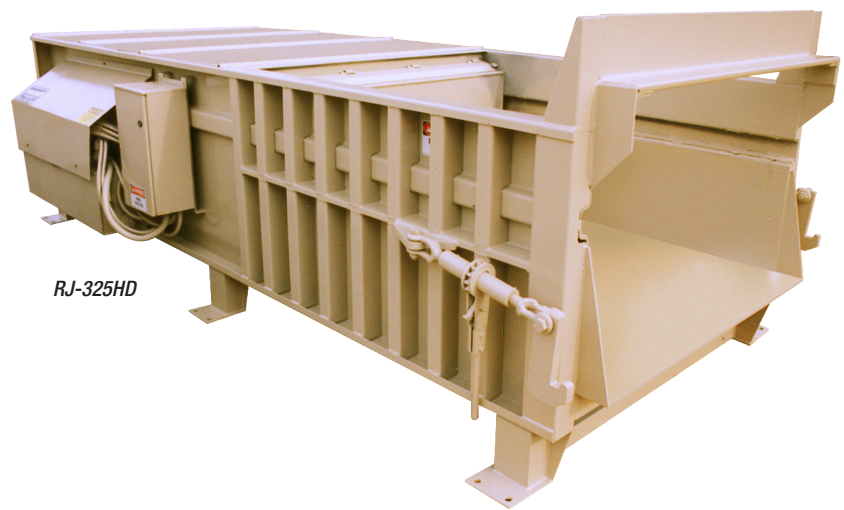
Ideal for small transfer stations or municipal drop-off centers

Heavy-duty design and high compaction force yield excellent volume reduction with MSW and light C&D waste streams

User-friendly 48-inch (1219mm) deck height offers a standard deck height while maintaining the same clear-top opening as a 4-yard compactor



RJ-325



RJ-325HD

RAMJET 
Stationary and self-contained compactors.



Environmental Solutions Group

A DOVER COMPANY

Mini transfer stations

Municipal recycling drop off enters

Large warehouses

Distribution centers

Manufacturing facilities

RJ-325 Compactor

Marathon's Ramjet RJ-325 is a proven workhorse with excellent capability, ensuring top performance in heavy commercial and industrial applications. The RJ-325 is unique to other compactors in its class, providing a large 60-inch wide by 67 1/2-inch (1715mm) clear top opening and a 33-inch (838mm) deep charge box—a feature for peak loading times or when compacting bulky items.

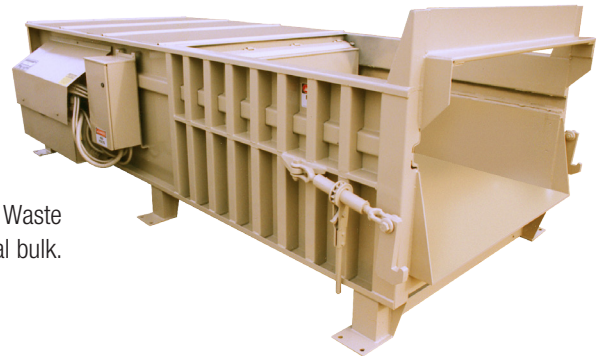


Engineered for Durability

The RJ-325 is stress engineered for durability. That means the strength is where it belongs—like the 1/2-inch (12.7mm) charge box floor reinforced with seven heavy-duty steel channels, 1/2-inch (12.7mm) steel plate ram face backed with 10-inch (254mm) structural channels and extra-rugged reinforced sides.

RJ-325HD Heavy-Duty Compactor

The large 59 1/2-inch (1511mm) wide by 67 1/2-inch (1715mm) long clear top opening and superior strength of the RJ-325HD make it just right for large volumes or crates, skids, and other hard-to-compact industrial refuse and trash. Waste is crushed to a fraction of the original bulk.



Heavy-Duty Design

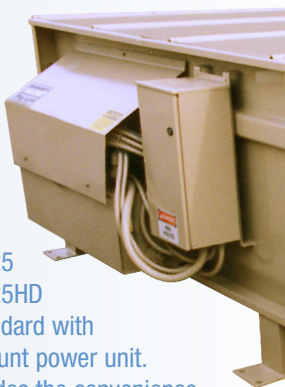
Marathon's RJ-325HD is engineered with extra steel to meet the demands of heavy-duty industrial use. Cylinder supports, a 1-inch (25.4mm) thick breaker bar, a 3/8-inch (9.52mm) ram top, and extra side supports are added for superior endurance. Also standard on the RJ-325HD are 1/4-inch (6.35mm) thick steel charge box liners and a 1/2-inch (12.7mm) thick abrasion-resistant steel plate on the charge box floor..

Cart Dumpers, Chutes, and Hoppers

The RJ-325 and RJ-325HD can be fitted with a variety of material handling equipment such as chutes, hoppers, and dumpers. The compactor shown is fitted with a side fed hopper and a ground level dumper. Cart dumpers can be custom built to your specifications to accommodate existing cart systems.



Images shown with optional equipment



The RJ-325 and RJ-325HD come standard with a side-mount power unit. This provides the convenience and ease-of-maintenance of a remote power pack with the space savings of an integrated power unit.

Dimensions

RJ-325 and RJ-325HD



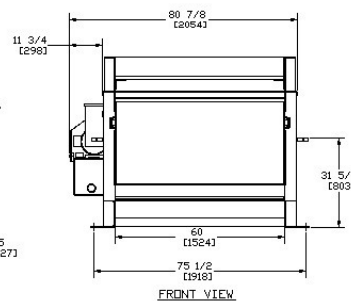
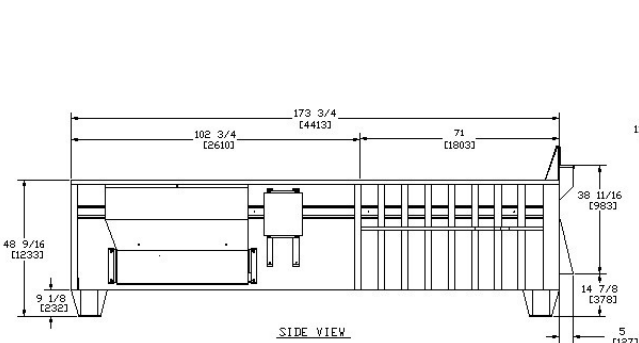
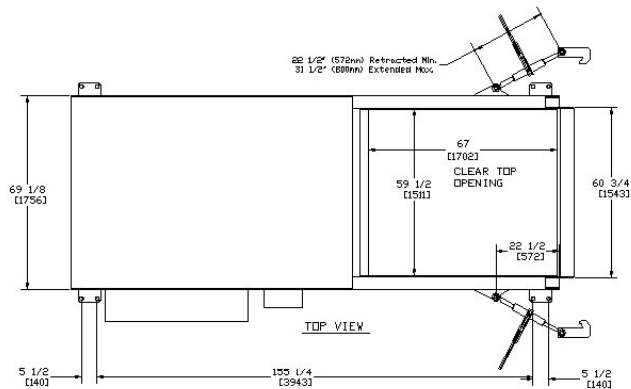
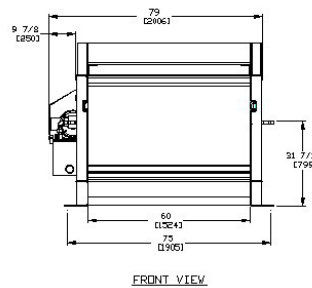
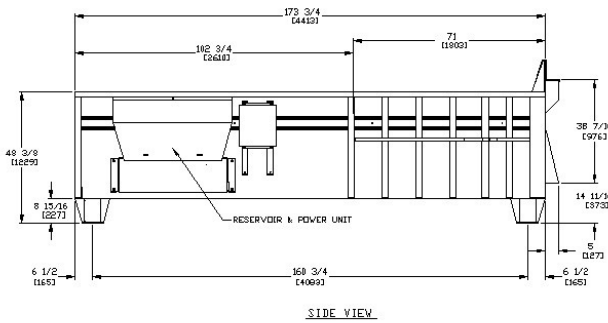
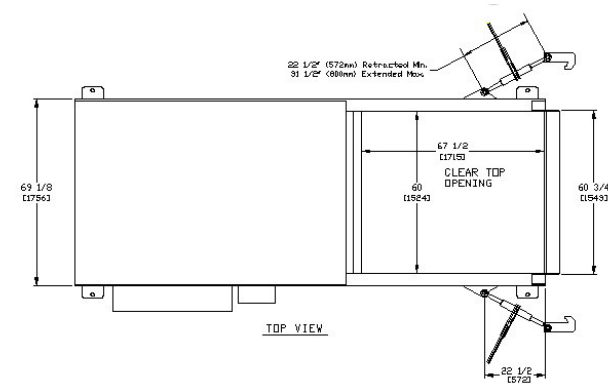
Ram Guide System

The packing ram is supported by specially formulated cast iron shoes which ride on replaceable wear strips. This exclusive design protects the charge box floor from the full force of the packing ram, extending its life and dramatically reducing compaction-robbing friction.

Control Station

The RJ-325 and

RJ-325HD feature an advanced, simplified 2-button control system. It is key-operated, fully automatic and contained in a weatherproof NEMA 4 enclosure. Connected to the power pack with 13-feet (3.96m) of Sealtite®, the controls can be located for operator convenience.



RJ-325 & RJ-325HD Stationary Compactors

Specifications:	RJ-325		RJ-325HD	
Charge Box Capacity				
[Mfr. Rating]	3.15 cu. yd.	2.41 m ³	3.15 cu. yd.	2.41 m ³
[NWRA Rating]	2.55 cu. yd.	1.93 m ³	2.51 cu. yd.	1.92 m ³
Clear Top Opening (L x W)	67.5" x 60"	1715mm x 1524mm	67.5" x 59.5"	1715mm x 1511mm
Performance:				
Cycle Time	50 sec.	50 sec.	50 sec.	50 sec
Total Normal Force	46,600 lbs.	207 kN	46,600 lbs.	207 kN
Total Maximum Force	55,100 lbs.	245 kN	55,100 lbs.	245 kN
Normal Ram Face Pressure	26.8 psi	185 kPa	27.0 psi	186 kPa
Maximum Ram Face Pressure	31.7 psi	218 kPa	31.9 psi	220 kPa
Ram Penetration	13"	330mm	13"	330mm
Electrical Equipment:				
Electrical Motor 3/60-208/230/460	15 hp	11.2 kw	15 hp	11.2 kw
Electrical Control Voltage	120 VAC	120 VAC	120 VAC	120 VAC
UL® and CUL® Listed Panel Box: NEMA Type, All Circuits Fused				
3-Button Controls: Keylock Start, Stop, Reverse				
Hydraulic Equipment:				
Pump Capacity	18.5 gpm	70 liters/min	18.5 gpm	70 liters/min
Normal Pressure	1,650 psi	114 bar	1,650 psi	114 bar
Maximum Pressure	1,950 psi	134 bar	1,950 psi	134 bar
Hydraulic Cylinder (Bore)	6"	152mm	6"	152mm
Hydraulic Cylinder (Rod)	4"	102mm	4"	102mm
Hydraulic Cylinder (Stroke)	82"	2083mm	82 in.	2083mm
Structural Characteristics:				
Charge Box Sides	1/4"	6mm	1/4"	6mm
Charge Box Floor	1/2"	13mm	1/2"	13mm
Ram Face Plate	1/2"	13mm	1/2"	13mm
Ram Face Size	60"-29"	1524mm-737mm	60"-29"	1524mm-737mm
Ram Bottom	3/8"	9.5mm	3/4"	19mm
Ram Top	3/8"	9.5mm	3/8"	10mm
Breaker Bar	8" x 6" x 3/4"	203mm x 152mm x 19mm	8" x 6" x 1"	203mm x 152mm x 25mm
Weight	6,700 lbs.	3038 kg	7,375 lbs.	3345.28 kg



You can add the Pandora Remote Monitoring System to many of our most popular compactors. For information about adding Pandora, please contact your Marathon salesperson.

Compactor Rental and Leasing Programs Available

For detailed specifications, recommendations, or free economic studies comparing various systems, contact Marathon Customer Care at **1-800-633-8974**.



Stationary and self-contained compactors.

Authorized Dealer:



Marathon Equipment Company
P.O. Box 1798
Vernon, AL 35592-1798
800.633.8974
www.marathonequipment.com

NJPA Contract #060612-ESG



Pictures in this literature are illustrative only. Specifications are subject to change without notice in order to accommodate improvements to the equipment. Certified in compliance with ANSI standard Z245.2, applicable OSHA Regulations, and certified under WASTEC's Stationary Compactor Certification Program. Products must be used with safe practice and in accordance with said regulations and standards.