



Xzalt Precision Applicator

Providing precision liquid and granular blending, along with precision material application, the Xzalt offers accelerated snow & ice melting capabilities for quicker road safety. One touch lets operators adjust symmetrical or asymmetrical patterns on one, two, or three lanes for superior spreading capabilities. The 70:30 ratio of dry / liquid material reduces salt usage providing a cost savings to your organization.

High Productivity Features

- Up to 7.5 cubic yard struck capacity with 700-gallon liquid
- Single and multiple-lane spreading capabilities
- Multiple feedgate positions to accommodate any spreading needs
- Integrated liquid system that provides 70:30 ratio of dry/liquid material
- Pre-defined QuickLane™ setting that can temporarily widen the swath width to cover a turn lane or intersection

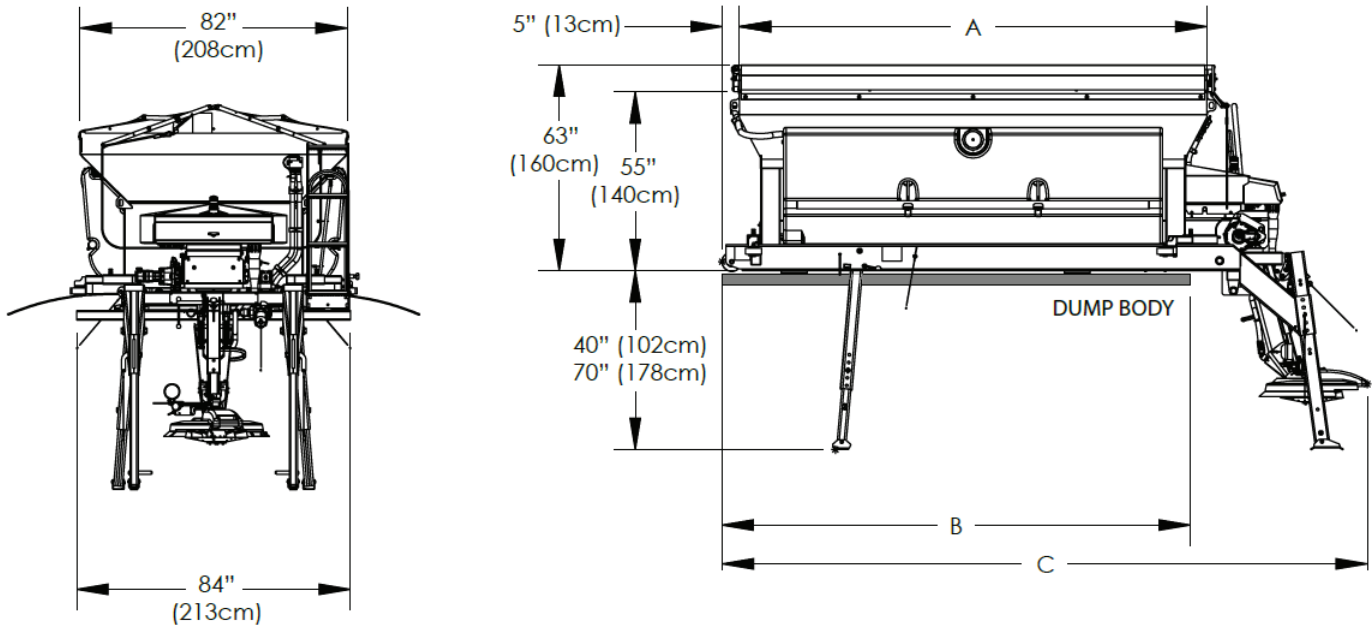
Low Maintenance Features

- Height-adjustable enclosed chute on the spinner hopper to fit various trucks
- Easy ground-level rear fill
- Integrated storage leg system for quick, one-person installation and removal

Available Options • Tool box • Pre-wet system • Ladder • Cab shield • Lights

Xzalt						
Length (ft)	Length (m)	Inside Body Length	Truck Floor Length	Overall Length	Body Width	Overall Width
10'	3.05	120" (305 cm)	120" (305 cm)	174" (442 cm)	82" (208 cm)	84" (213 cm)
12'	3.66	144" (366 cm)	144" (366 cm)	198" (503 cm)	82" (208 cm)	84" (213 cm)
14'	4.27	168" (427 cm)	168" (427 cm)	222" (564 cm)	82" (208 cm)	84" (213 cm)

Length (ft)	Struck Capacity	Capacity Rounded	Liquid Capacity Gal (L)	Approx. Body Weight
10'	5.2 yds ³ (4.0 m ³)	6.2 yds ³ (4.7 m ³)	464 (1756)	3375 lbs. (1531 kg)
12'	6.4 yds ³ (4.9 m ³)	7.6 yds ³ (5.8 m ³)	594 (2249)	3915 lbs. (1776 kg)
14'	7.5 yds ³ (5.7 m ³)	9.0 yds ³ (6.9 m ³)	724 (2741)	4455 lbs. (2021 kg)



Products and specifications subject to change without notice.
 Photos and illustrations may or may not include optional equipment.
 Hi-Way® is a registered trademark of Highway Equipment Company, Inc., d/b/a New Leader Manufacturing.
 © 2019 Highway Equipment Company, Inc., d/b/a New Leader Manufacturing.
 HWXZALT-2019-01