



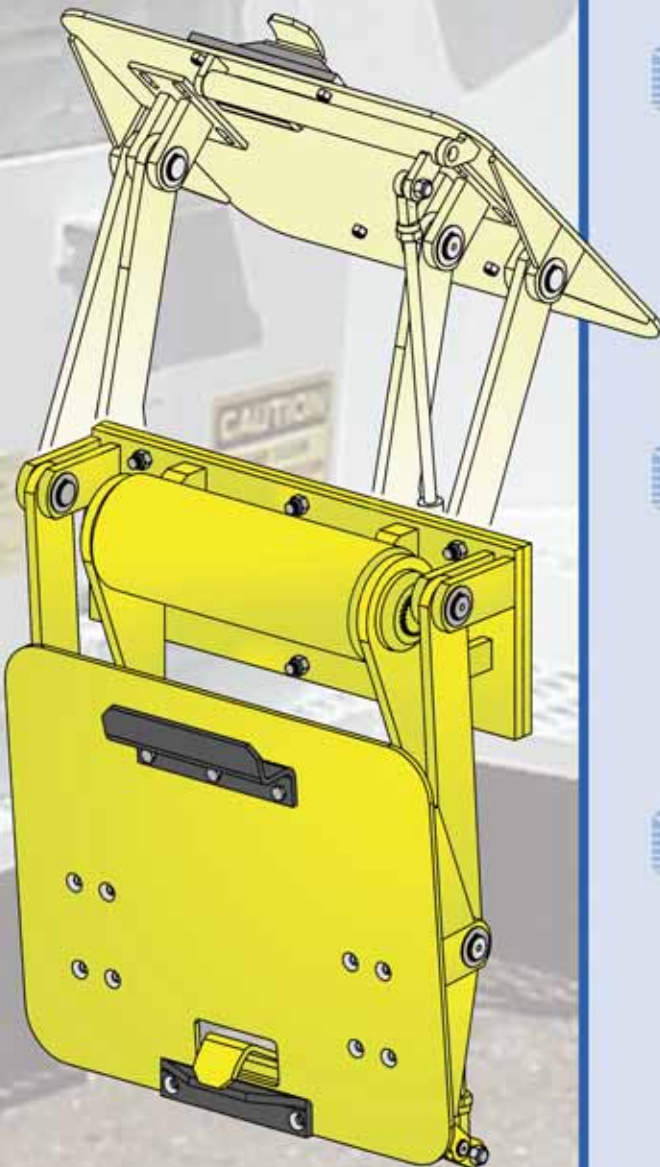
Proven design has become a staple to the waste haulers across the country.

- ***Versatile Design***
- ***Deep Dumping Action***
- ***Simple Operation***
- ***Reliable Service History***

The Compact lifter series is second only to the TuckAway™ Lifter in popularity throughout the refuse industry. These lifters offer a rugged design with a thin profile that works well in a wide range of applications.

Whether mounted to a front load carry-can, rearloader, or sideloader, these models are workhorses that lift carts high and deep for maximum dumping performance. The 20k helical rotary actuator offers a smooth dump motion and a dependability that puts the competition to shame.

Rubber coated upper saddle and lower stops, combined with a spring-loaded lower latch protect your cart investment, while the maintenance requirements are simple and straight-forward.

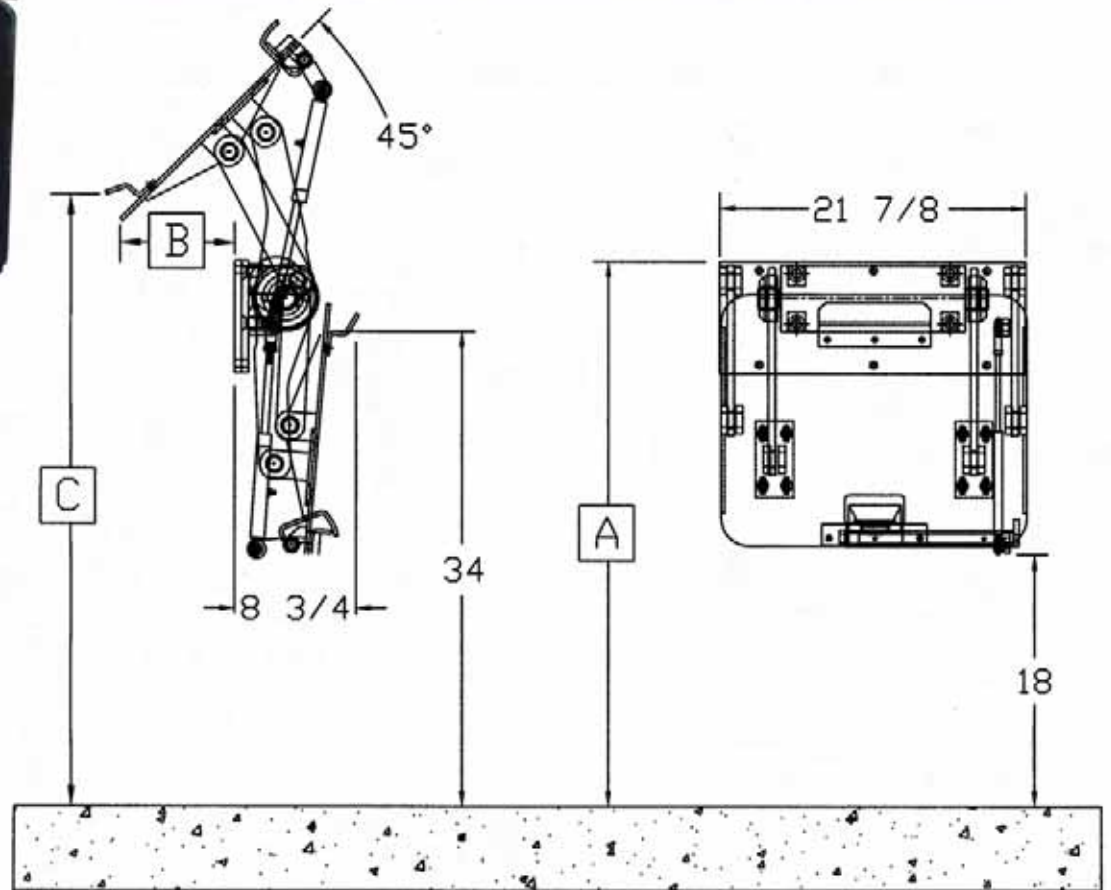


P E R K I N S
MANUFACTURING COMPANY
"Total Customer Satisfaction"
423 East Elm Avenue
La Grange, IL 60525
(708) 482-9500 (800) 882-5292
Fax: (708) 354-5878
Email: tuckaway@perkinsmfg.com
Internet: www.perkinsmfg.com

Models D6070-20K & D6071-20K

PERKINS

Specifications



	A	B	C
D6070-20K	39 1/2	8 1/4	43 3/4
D6071-20K	43 1/2	9 1/2	52 1/4

20K Helical Rotary Actuator

Known for its smooth, balanced action and compact design, it provides lifting power day in and day out. Easy to rebuild and designed for high usage in a low maintenance environment.



Thin profile is perfect for carry-cans & sideloaders

Weight capacity: 350lb @ 1950 PSI

Full compatibility to 60-95 gallon plastic US-style carts

6-8 second cycle time @ 2.5 GPM

Splined ends on Actuator shaft for maximum torque transmission & long life

PVC-coated upper hook & lower stop

20k Helical Rotary Actuator rated @ 3,000 PSI max

Steep 45 degree dump angle

1/2" A36 HRS driver & idler arms

1/2" A36 HRS rear mounting plate for easy servicing

2-year limited warranty

Specifications subject to change without notice.



PERKINS
MANUFACTURING COMPANY
"Total Customer Satisfaction"
 423 East Elm Avenue
 La Grange, IL 60525
 (708) 482-9500 (800) 882-5292
 Fax: (708) 354-5878
 Email: tuckaway@perkinsmfg.com
 Internet: www.perkinsmfg.com