



D6073x Extended Tuckaway™ Sideloader



Built to handle your toughest residential route. The D6073x features a sleek design and heavy duty construction. The unique swooping action coming up from the storage position eliminates the need to lift the cart to engage it, saving the operator from strain and fatigue and reducing lost days/worker compensation claims.

Featuring TuckAway™ Lifter Performance

Fully compatible with ANSI Type B American style 2-bar carts

Ability to lift carts both on and off the curb with no adjustments required.

Powerful 26k Helical Actuator with weight capacity of 350 lb

Unique “Back-Saving” action grabs carts on various terrains and heights

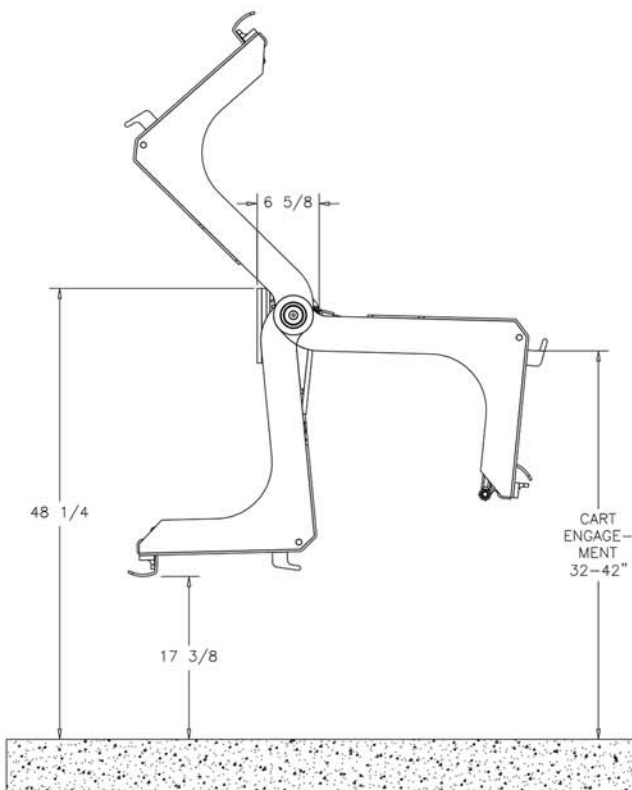
UHMW upper saddle and spring loaded lower latch helps protect carts

Minimal greasing for less maintenance

6-8 second cycle time using 3.5 gpm.

Durable powder-coated finish

2-year limited warranty



Model D6073x
An ISO 9001:2000 Company

Check out our website!
WWW.PERKINSMFG.COM

Perkins Manufacturing Company
737 Oakridge Drive
Romeoville, IL 60446
Local (708) 482-9500
Fax (708) 354-5878
Email: tuckaway@perkinsmfg.com