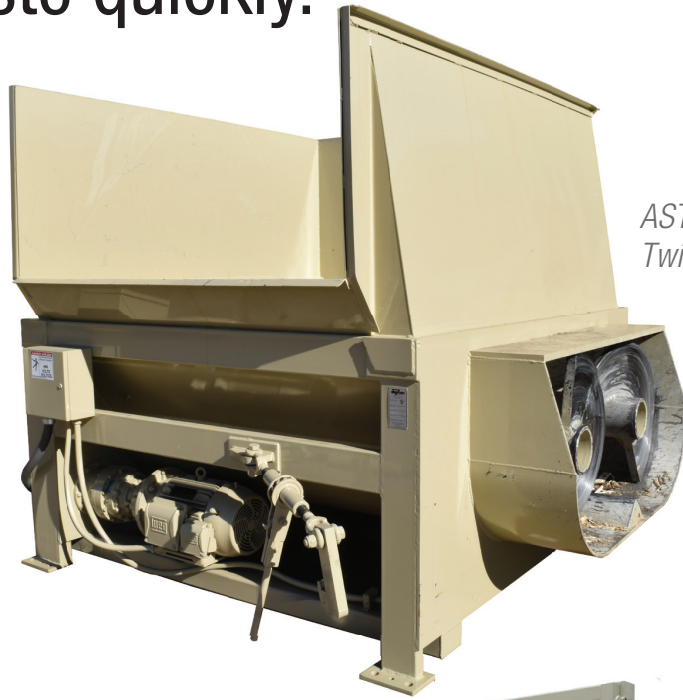


AUGER COMPACTORS

Superior volume reduction,
lower maintenance cost.
Processes waste quickly.



*AST-440
Twin Auger*



ASC-210 Auger



*AST-220
Single Auger*



**Environmental
Solutions Group**

A DOVER COMPANY

ASC-210 Self-Contained Auger Compactor

Easy to use and maintenance-friendly

Always moves material forward

Ideal for wet waste such as medical or organic, but heavy duty construction allows for waste like skids and pallets

Whisper quiet

Eliminate all hydraulic oil

Materials will not build up behind the auger



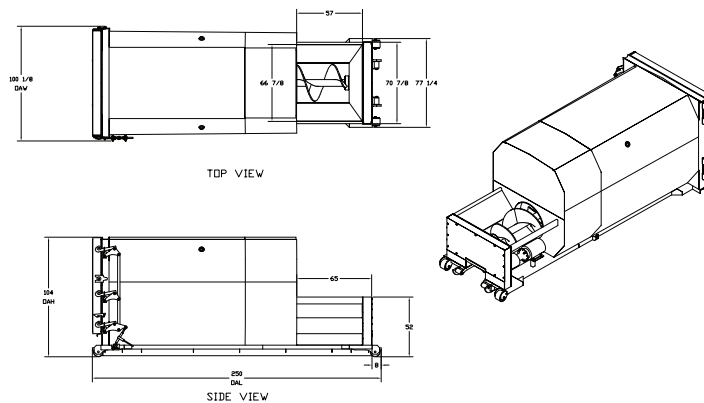
ASC-210 Specifications:		
Weight (30 yd³)	11,200 lbs	5,050 kg
Auger diameter	36"	900 mm
Penetration	13"	330 mm
Performance characteristics		
Auger speed	9 rpm	
Cycle time	13 sec	
Displacement rate	305 yd³/hr	235 m³/hr
Electrical equipment		
Electric motor 3/60/230-460	10 hp	7.5 kw

ASC-215 Specifications:		
Head Weight	4,100 lbs	1,850 kg
Auger diameter	36"	900 mm
Penetration	13"	330 mm
Performance characteristics		
Auger speed	9 rpm	
Cycle time	13 sec	
Displacement rate	305 yd³/hr	235 m³/hr
Electrical equipment		
Electric motor 3/60/230-460	15 hp	11 kw

Marathon's ASC-210 Auger Compactors are easy to use and maintenance friendly. Features such as the short rear dimension for dock feeding, or rear feeding, and the innovative design which eliminates springback into the auger chamber, all add up to a reliable auger compactor that will provide years of dependable performance.

The advantages of using an Auger Compactor:

- Increased payloads reduce transportation costs
- Minimize waste storage space on site
- Continuous forward auger blade movement reduces waste buildup in charge chamber. There are no cavities in the chamber where waste can accumulate.



AST-220 Stationary Auger Compactor

Easy to use and maintenance-friendly

Always moves material forward

Higher payloads on materials such as OCC up to eight tons in a 40-yard container

Whisper quiet

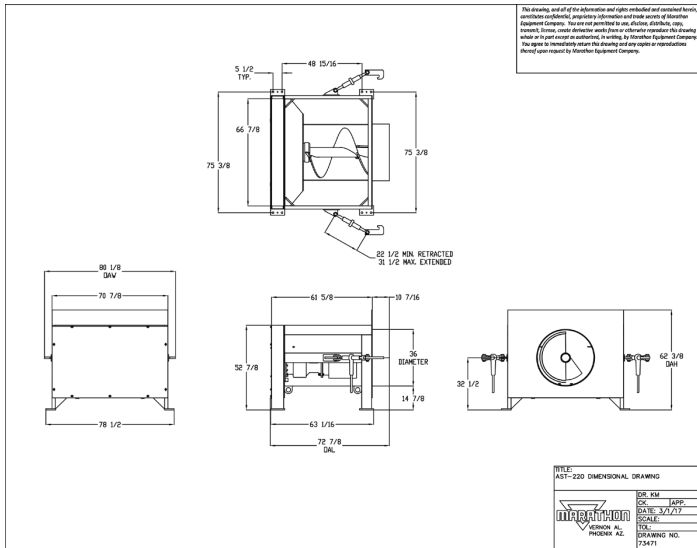


Marathon highly recommends using the optional Round Opening Container Adapter Plate. This option is quickly and easily added to a standard rectangular container opening, and helps to assure clean container break away with the least possible spillage of any stationary compactor.

Marathon's Stationary Auger Compactors are specifically designed for superior compaction and lower maintenance. The Stationary Compactor is best suited for dry waste, such as paper and cardboard.

The advantages of using an Auger Compactor:

- ✔ Continuous forward auger blade movement yields excellent payloads, some OCC applications as high as 8 tons in a 40-yard receiver container
- ✔ Superior compaction
- ✔ Eliminates springback
- ✔ Lower deck height at rear of unit is better adapted for dock applications than other Auger systems available



AST-220 Specifications:

Weight	4,250 lbs	1,925 kg
Auger diameter	36"	900 mm
Penetration	11"	265 mm
Performance characteristics		
Auger speed	14 rpm	
Cycle time	8.5 sec	
Displacement rate	425 yd ³ /hr	325 m ³ /hr
Electrical equipment		
Electric motor	20 hp	15 kw
	3/60/230-460	

AST-440 Twin Auger Compactor

Easy to use and maintenance-friendly

Always moves material forward

Higher payloads on materials such as OCC, wooden pallets and crates, and other dry waste

Ideal for volume reduction of bulky items such as furniture

Whisper quiet

Deck height of only 48" makes loading more convenient



The AST-440 Stationary Auger Compactor is a heavy-duty machine specifically designed for compacting large volumes of waste material. As a Stationary Compactor, the machine is best suited for dry waste such as paper, cardboard, wooden pallets, etc. This Twin 28" Auger has excellent throughput. It's able to process large bulky items without bridging in the hopper and is commonly used for large industrial sites and production lines.

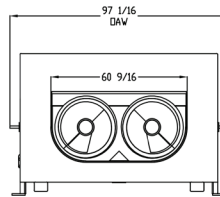
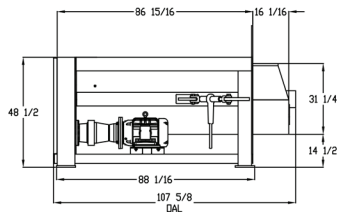
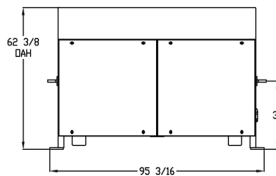
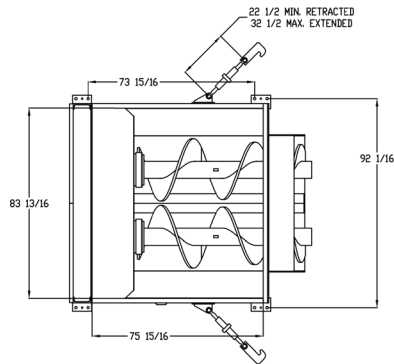
The advantages of using a Twin Auger Compactor:

- ✓ Increased payloads reduce transportation costs
- ✓ Minimize waste storage space on site
- ✓ Ideal for material destruction and reduction of wooden pallets, crates and furniture
- ✓ Lower deck height at rear of unit is better adapted for dock applications than other Auger systems available
- ✓ Unit can be used with conventional container openings

TWIN AUGER



This drawing, and all of the information and rights embodied and contained herein, constitutes confidential, proprietary information and trade secrets of Marathon Equipment Company. You are not permitted to use, disclose, distribute, copy, transmit, lease, create derivative works from or otherwise reproduce this drawing in whole or in part except as authorized, in writing, by Marathon Equipment Company. You agree to immediately return this drawing and any copies or reproductions thereof upon request by Marathon Equipment Company.



TITLE:
AST-440 DIMENSIONAL DRAWING

DR.	KM
CR.	APP.
DATE:	3/17
SCALE:	
TOL:	
DRAWING NO.	73472

AST-440 Specifications:

Weight	9,500 lbs	4,300 kg
Auger diameter	2 x 28"	2 x 700 mm
Penetration	16"	400 mm
Performance characteristics:		
Auger speed	10 rpm	
Cycle time	12 sec	
Displacement rate	600 yd ³ /hr	460 m ³ /hr
Electrical equipment:		
Standard voltage	460 volt, 3-phase (other voltages available)	

National Joint Powers Alliance® Awarded Contract

National Joint Powers Alliance (NJPA) has awarded Environmental Solutions Group (ESG), of which Marathon is a part, a national contract for “Solid Waste and Recycling Collection Equipment with Related Equipment, Accessories, and Supplies.”

NJPA is a municipal contracting government agency that serves education and government agencies and non-profit organizations nationally through competitively bid and awarded contract purchasing solutions. Over 45,000 members enjoy the value and commitment of more than 100 world-class NJPA awarded vendors.

Avoid a lengthy and costly bid process. Take advantage of national competitively bid and awarded contract purchasing solutions. Membership is free and applies to all ESG brands, including Heil, Marathon, Bayne, and Curotto-Can.



Contract #060612-ESG



Compactor Rental and Leasing Programs Available

For detailed specifications, recommendations, or free economic studies comparing various systems, contact Marathon Customer Care at [\(800\) 269-7237](tel:8002697237).



Authorized Dealer:



Marathon Equipment Company
P.O. Box 1798
Vernon, AL 35592-1798
800.633.8974
www.marathonequipment.com
NJPA Contract #060612-ESG



Pictures in this literature are illustrative only. Specifications are subject to change without notice in order to accommodate improvements to the equipment. Complies with ANSI standard Z245.2, and applicable OSHA Regulations. Products must be used with safe practice and in accordance with operator manual and applicable regulations and standards. *UL listed Panel Box only.

© 2017 Marathon Equipment Company. All rights reserved. Printed in USA. | SWS-M00111-060116