



SA-9 Tailgate Spreader

The SA-9 tailgate spreader is designed for year-round road maintenance. For winter, the auger conveys material to the left and is dispersed through a spinner, spreading material from 4' to 40' in width. For non-winter road maintenance, the auger can be reversed, providing material discharge to the right for berming, patching, or trench filling operations.

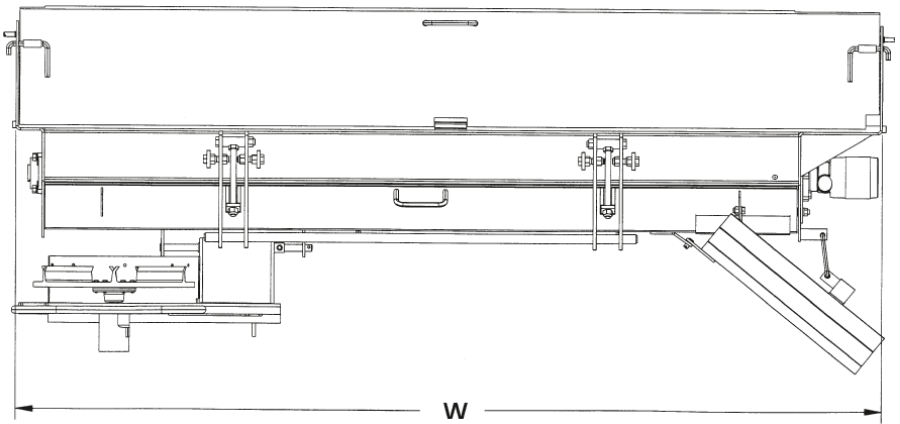
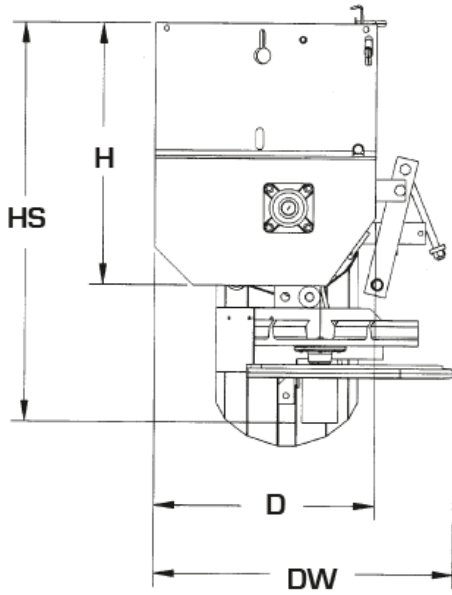
SA-9 STANDARD FEATURES

- Heavy-duty 7-gauge cover / back plate and trough assembly with ¼" endplates.
- Easy-open hinged bottom panel provides for quick clean out of trough and the quick-disconnect hardware enables easy removal or installation.
- 9" diameter auger with 5/8" thick helicoid flighting is welded to a heavy-duty 2-1/2" schedule 80 pipe.
- 18" polyurethane spinner disc with six fins provides a uniform spread pattern from 4 to 40 feet wide. The spinner assembly can be easily removed without the need for tools and can be easily adjusted to vary the spread pattern.

OPTIONAL EQUIPMENT

- 5:1 worm gear drive
- Twin Spinner Discharge (right and left)
- Center Discharge Option
- Dual - Spinner Discharge (right or left)

HI-WAY SA-9



HS Height w/spinner	H Height w/o spinner	D Depth w/spinner	WS Depth w/o spinner	W Width	Shipping Weight Approx.
37" (93.9 cm)	61.6" (61.60 cm)	27.563" (70 cm)	20.25" (51.4 cm)	96.5 (245.1 cm)	900 lbs. (408.2 kg)

Products and specifications subject to change without notice.
 Photos and illustrations may or may not include optional equipment.
 Hi-Way® is a registered trademark of Highway Equipment Company, Inc., d/b/a New Leader Manufacturing.
 © 2019 Highway Equipment Company, Inc., d/b/a New Leader Manufacturing.