



SA-6C Tailgate Spreader

The SA-6C tailgate spreader features a heavy-duty 6" (15.2cm) bi-directional flighting to evenly unload material from the dump body. Easy-open hinged bottom panel provides for quick clean out of trough and the quick-disconnect hardware enables easy removal or installation.

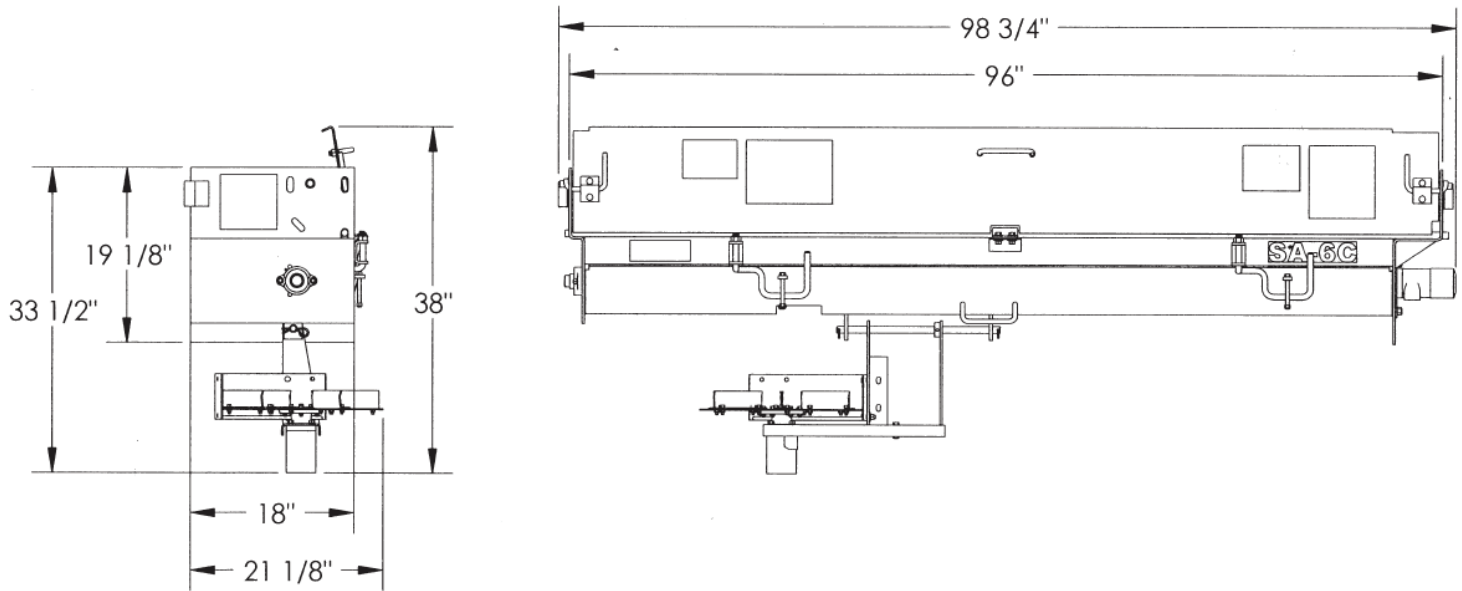
SA-6C STANDARD FEATURES

- Heavy-duty 7-gauge cover / back plate and trough assembly with ¼" endplates.
- Anti-flow plate is provided, over the discharge opening, to prevent loss of material when auger is stopped. Plate can be easily removed without the use of tools.
- 6" (15.2cm) diameter auger with 3/8" (9.5mm) helicoid flighting welded to heavy-duty 2-1/2" (6.4cm) pipe. The bi-directional flighting ensures material feeds evenly from both sides of the dump body to the left-hand discharge area.
- 18" polyurethane spinner disc with six fins provides a uniform spread pattern from 4 to 40 feet wide. The spinner assembly can be easily removed without the need for tools and can be easily adjusted to vary the spread pattern.
- Direct drive hydraulic motor eliminates chain and sprocket or gear case maintenance.
- Quick disconnect mounting enables fast removal and mounting of spreader without the use of specialized tools.

OPTIONAL EQUIPMENT

- In-cab control for auger and spinner plus master on/off controls.
- 5:1 worm gear drive.
- Multiple "hose and fitting kits" available for installation convenience.
- Sensor Motor in lieu of standard

HI-WAY SA-6C



Height Overall	Height w/ spinner	Hight w/o spinner	Depth w/ spinner	Depth w/o Spinner	Width	Shipping Weight Approx.
38" (97 cm)	33.5" (85 cm)	19.125" (49 cm)	21.125" (54 cm)	18" (46 cm)	96" (244 cm)	550 lbs. (250 kg)

Products and specifications subject to change without notice.
 Photos and illustrations may or may not include optional equipment.
 Hi-Way® is a registered trademark of Highway Equipment Company, Inc., d/b/a New Leader Manufacturing.
 © 2019 Highway Equipment Company, Inc., d/b/a New Leader Manufacturing.
 HWSA-9-2021-01